

**Warewashing**  
**NeoBlue Touch Undercounter DW (L) with**  
**pressure boiler in AISI304, rinse aid+detergent**  
**pumps, drain pump, tank filters, max 65 r/h, 1ph**

ITEM # \_\_\_\_\_

MODEL # \_\_\_\_\_

NAME # \_\_\_\_\_

SIS # \_\_\_\_\_

AIA # \_\_\_\_\_


**400303 (ETUCLG1S)**

Undercounter Dishwasher (L), touch control, single skin with pressure boiler, rinse aid+detergent pumps, drain pump, tank filters, max. 65 r/h, 1 phase, Schuko plug

### Short Form Specification

**Item No.** \_\_\_\_\_

Undercounter dishwasher hot sanitation type, suitable for 500\*500mm racks. Washing performance is ensure by a powerful wash pump, large capacity wash tank, upper and lower integrated washing & rinsing revolving spray arms in composite material. Rinse temperature and pressure guaranteed by built in pressure boiler and interlocked valves control system. Uses from 2.1 to 2.4 liters of clean water at final rinse. Two pre-settled automatic cycles for different types of wares, configurable on-site. The machine is supply with removable tank filters. Double skin insulated door. 304 AISI stainless steel construction to include internal tank and boiler, door and external panels. Electronic control with color coded user interface Touch Button type and LED info icons. Automatic self-cleaning cycle run after the machine is switched-off. The unit include drain pump, detergent and rinse aid dispenser peristaltic pumps. Electrical characteristics to be 230 volts one phase 50Hz operation, equipped with electric cable and shuko plug. The machine is supplied with embedded connectivity Wi-Fi module and Bluetooth APP.

### Main Features

- Fully automatic self-cleaning cycle avoids the risk of bacteria proliferation.
- State-of-the-art electronic controls with built-in programming, self-diagnostics for serviceability and automatic interior self-cleaning cycle.
- 4 second (variable) pause after washing and before rinsing ensures that no drops of unclean water will fall on the clean items at the end of the rinsing cycle.
- IPx4 water protection.
- Unique temperature interlock guarantees required temperatures in both the wash and final rinse in case of emergency cold water feeding.
- An effective rinse system uses only 2.1/2.4 liters of clean hot water per basket for lower running costs.
- Washing system endowed with rotating integrated washing & rinsing arms in composite material, high powered wash pump and large capacity boiler for professional washing.
- Built-in rinse aid and detergent dispenser with automatic initial and continuous cycle loading for perfect result while minimizing service and maintenance needs.
- Simple service from the front for technical purpose, by top for electronic boards; by lower panel for main components.
- Max. theoretical washing capacity in ideal condition of 65 racks or 1170 dishes per hour, with fast cycle available on APP (from January 2025).
- The pump filter inside the tank protects the washing pump by soil penetration with its extended surface, keeping the washing water clean.
- The single piece upper & lower arms clip-on type, interchangeable, easy to remove & reinstall. The combined washing & rinsing spraying system guarantees extended water coverage inside the chamber for excellent washing performance.
- Built-in pressure boiler sized to raise incoming 55-65 °C water to guarantee the right rinsing temperature for sanitizing rinse. No external booster is required.
- Smooth opening for easy loading.
- Touch button user interface provide useful information using different colours reflecting appliance status; and LED icons.
- App allows on-site customization of the washing cycles, as well as adjusting chemicals dosage. It provides on time feedback of the appliance and alarm info.

### Construction

- Unit to feature smooth surfaces to facilitate cleaning.
- Incorporated drain pump to control water level in wash tank draining.
- Element protection from dry fire and low water.
- The boiler drain facilitates the evacuation of stagnant water after long periods of inactivity to ensure a higher level of hygiene.
- Front and side panels, door and wash tank made

**APPROVAL:** \_\_\_\_\_

- in heavy duty anti-corrosive AISI 304 stainless steel.
- 304 stainless steel boiler with higher welding protection to increase resistance to corrosion.
- PVC water supply hose with metal connections resistant to high water pressure.
- Completely closed on the back by a cover plate.
- Large wash tank with round corners and no pipes to avoid dirt built-up.
- Double skin insulated door.
- Light & thicker moulded tank filters in composite material prolong the cleanliness of the water, collecting the major part of the soil; that can be easily removed during operations.
- Unit to feature rinse aid and detergent dispenser pumps.

### Sustainability



- Water consumption 2.1 lt/rack with MyEco cycle.
- Average energy consumption 260watt/cycle with MyEco Cycle.
- Washing cycles and chemicals setup adjustable by App.
- Reduced energy consumption up to 40% respect to previous range, equivalent to more than 3.000kWh saved in a year, and reduced water usage up to 2lt, both based on UL Certification\* leading to only 0.08kg of CO<sub>2</sub> equivalent per cycle. (\*Calculation by energy consumption during product usage, EFCEM profile (36 cycles/day for 300 days/year), considering a mix of energy sources as by calibrated EU database upd. values [kgCO<sub>2</sub>eq /KWh] - Source: IEA 2020 released in 2023 - The EIA Emissions Factors are specified for Electricity & Heat CO<sub>2</sub> and include CH<sub>4</sub> and N<sub>2</sub>O factors, according to IEA for 2021 also. Comparison made between NeoBlue Touch with MyEco cycle and the previous Electrolux Professional Undercounter range with 3lt water consumption/cycle).
- Product lifecycle extension thanks to easy access for service technician, dedicated diagnostic support and troubleshooting procedure and availability of spare parts for at least 10 years.
- The cardboard packaging on pallet is fully recyclable. The cardboard is made of 70% recycled material, and FSC\*-certified paper, printed with <b>eco-friendly</b> water-based ink; to ensure complete sustainability and environmental responsibility. (\* Forest Stewardship Council which is the world's leading organization for sustainable forestry-uses).
- ErgoCert 4-star certification for ergonomic design and ease of use. Simple operation through the user-friendly interface, and ergonomic design ensures minimal stress on the user. Colored touchpoints on removable components ensure fast cleaning operations.

• Rinse booster pump kit (50Hz) for NeoBlue Undercounter	PNC 864492	<input type="checkbox"/>
• Drain pump kit for NeoBlue Undercounter	PNC 864494	<input type="checkbox"/>
• Kit wash tank filters in composite material (1 central support and 2 filters) for NeoBlue Undercounter	PNC 864495	<input type="checkbox"/>
• Half size basket universal	PNC 864527	<input type="checkbox"/>
• Half size basket for plates	PNC 864528	<input type="checkbox"/>
• Half size basket for glasses	PNC 864529	<input type="checkbox"/>
• Kit 4 plastic boxes for cutlery - yellow	PNC 865574	<input type="checkbox"/>
• Basket for 12 soup bowls - green	PNC 867000	<input type="checkbox"/>
• Basket for 16 soup bowls/dinner plates - blue	PNC 867001	<input type="checkbox"/>
• Basket for 18 dinner plates - yellow	PNC 867002	<input type="checkbox"/>
• Basket for 12 plates up to 300 mm - blue	PNC 867003	<input type="checkbox"/>
• Basket for 5 trays 530x325 mm - red, for undercounter (top level), utensil dishwashers, hood type, rack type	PNC 867006	<input type="checkbox"/>
• Basket for 48 small cups or 24 cups - blue	PNC 867007	<input type="checkbox"/>
• Basket for 24 tilted cups - blue	PNC 867008	<input type="checkbox"/>
• Cover rack for small and light items (500x500 baskets)	PNC 867016	<input type="checkbox"/>
• Baskets for 16 tilted glasses (h 120 mm - diam 100 mm) - blue	PNC 867020	<input type="checkbox"/>
• Basket for 16 vertical glasses (h 70 mm - diam 100 mm) - blue	PNC 867023	<input type="checkbox"/>
• Basket for 16 tilted glasses (h 170 mm - diam 100 mm) - blue	PNC 867030	<input type="checkbox"/>
• Baskets for 16 tilted glasses (h 220 mm - diam 100 mm) - blue	PNC 867040	<input type="checkbox"/>

### Recommended Detergents

• C11 Detergent for dishwashers; one pack of 2 cans of 5lt.	PNC 0S2092	<input type="checkbox"/>
• C13 ECO Detergent for dishwashers; one pack of 2cans of 5lt.	PNC 0S2093	<input type="checkbox"/>
• C12 Rinse aid for dishwashers; one pack of 2 cans of 5lt.	PNC 0S2094	<input type="checkbox"/>
• C30 Multipurpose descaler; one pack of 2 cans of 5lt.	PNC 0S2362	<input type="checkbox"/>
• C15 ECO Rinse aid for dishwashers; one pack of 2 cans of 5lt.	PNC 0S2904	<input type="checkbox"/>

### Included Accessories

- 1 of Yellow cutlery container PNC 864242
- 1 of Basket for 18 dinner plates - yellow PNC 867002

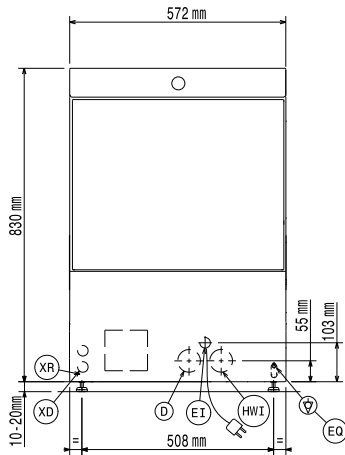
### Optional Accessories

- Stand for undercounter dishwasher PNC 860418
- Filter for partial demineralization PNC 864017
- Kit to measure total and partial water hardness PNC 864050
- Detergent dosing kit PNC 864218
- Yellow cutlery container PNC 864242
- Filter for total demineralization PNC 864367

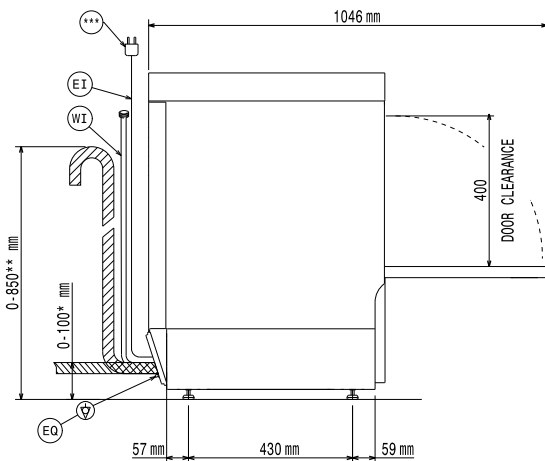


Warewashing  
 NeoBlue Touch Undercounter DW (L) with pressure boiler in AISI304,  
 rinse aid+detergent pumps, drain pump, tank filters, max 65 r/h, 1ph  
 The company reserves the right to make modifications to the products  
 without prior notice. All information correct at time of printing.

Front



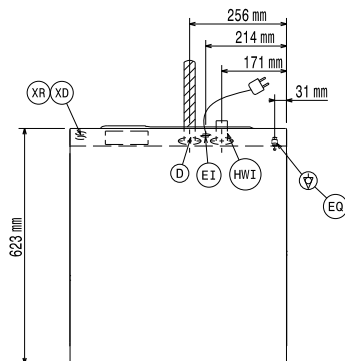
Side



\* Without drain pump  
 \*\* With drain pump  
 \*\*\*Plug only for Single Phase Machine

D = Drain  
 EI = Electrical inlet (power)  
 EO = Electrical Outlet  
 HWI = Hot water inlet  
 XD = Detergent connection  
 XR = Rinse aid connection

Top



### Electric

Supply voltage:	220-240 V/1 ph/50 Hz
Default Installed Power:	3.3 kW
Boiler heating elements:	2,8 kW
Tank heating elements:	2 kW
Wash pump size:	0.55 kW

### Water:

Pressure, min-max:	2-5 bar
Water supply temperature*:	55-65 °C
Drain line size:	20.5mm
Inlet Water supply pressure:	29 - 73 psi (2 - 5 bar)
Washing tank capacity (lt):	22
Water consumption per cycle (lt):	2.1 / 2.4
Boiler Capacity (lt):	5,8

### Key Information:

\*only available on App by Jan 2025

<b>Baskets per hour (fast*/ glasses*/multipurpose&amp;cups/ intensive*/MyEco):</b>	65 / 40 / 36 / 24 / 15
<b>Working cycles time (sec.):</b>	55 / 90 / 100 / 150 / 240
<b>Dishes per hour:</b>	1170 / 720 / 648 / 432 / 270
<b>Wash temperature:</b>	55-65°C
<b>Cell dimensions - width:</b>	520 mm
<b>Cell dimensions - depth:</b>	540 mm
<b>Cell dimensions - height:</b>	400 mm
<b>Rinse temperature:</b>	60-85 °C
<b>External dimensions, Width:</b>	572 mm
<b>External dimensions, Depth:</b>	623 mm
<b>External dimensions, Height:</b>	830 mm
<b>Packaging size (WxDxH):</b>	740x670x1000 mm

### Performance table (norm EN IEC 63136:2019)

<b>Tested wash cycle:</b>	myEco
<b>Average cycle time (Tc), sec.:</b>	503
<b>Power ready-to-use mode (Pu), kW:</b>	0.26
<b>Energy consumption for initial fill (Es), kWh:</b>	1.37
<b>Water consumption for initial fill (Vs), l:</b>	21.5
<b>Start-up time (Ts), sec.:</b>	2316
<b>Number of plates per rack:</b>	18
<b>Cleaning performance (xclean), %:</b>	99.9
<b>Resoiling performance (xres):</b>	0.3
<b>Average energy consumption (Ec), kWh:</b>	0.26
<b>Average water consumption (Vc), l:</b>	1.89
<b>Average program time (Tpr), sec.:</b>	318

### Sustainability

<b>Noise level:</b>	<70 dBA
<b>Package type:</b>	Box on pallet

Warewashing  
 NeoBlue Touch Undercounter DW (L) with pressure boiler in AISI304,  
 rinse aid+detergent pumps, drain pump, tank filters, max 65 r/h, 1ph  
 The company reserves the right to make modifications to the products  
 without prior notice. All information correct at time of printing.